



CCTVTECH
CCTV TECHNOLOGIES PTE LTD

20 Years
of experience

IP Speed Dome Camera

High strength alloy
aluminum all metal
structure

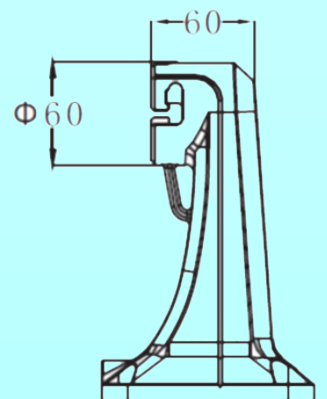
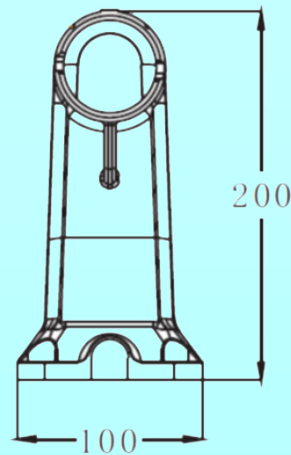
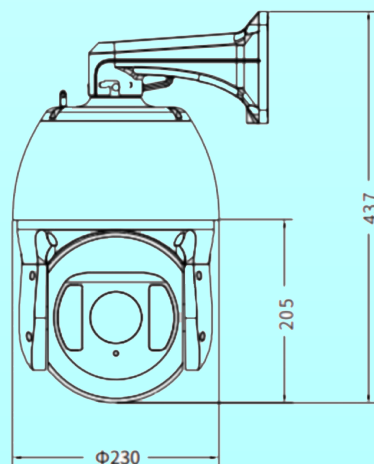
PB788



Over view

2MP or 4 MP Resolution
150m IR Coverage

72X Optical Zoom - 7~504mm
IP66 Standard - POE Built In
Up to 3000m Zoom Coverage





Features

Infrared Function

- Minimum illumination: 0 lux, high-efficiency infrared array, low power consumption, IR lamps up to 150 meters
- Infrared lamp and magnification distance matching algorithm, adjust its brightness according to magnification and distance to make the image reach the ideal state

Housing

- High strength alloy aluminum integral die-casting shell, internal all metal structure
- Super heat dissipation design, reduce the temperature of the inner cavity and prevent the inner cover of the dome housing from fogging
- Impact and corrosion resistance, and the protection grade reaches IP66
- The camera is isolated from the infrared lamp to avoid the influence of the infrared lamp halo and heat on the camera and image

System Function

- Resolution: 4MP(2560*1440), 2MP (1920*1080)
- Support three-dimensional intelligent positioning function, cooperate with NVR and client software to realize click tracking and amplification
- Support the power-off state memory function, and automatically return to the monitoring position before power-off or perform the monitoring task before power-off after power on
- Idle action: when no one operates, it can enter multiple operation modes: guard position, automatic scanning, pattern scanning and automatic cruise
- Support power on action, and the dome camera will perform the predetermined monitoring task after power on

Network Function

- Adopt H.264/H.265 video compression algorithm, ultra low bit stream
- The image can be viewed and controlled through IE browser and client software
- Support three code streams

Specifications

| PB788-2H150IR | | PB788-4H150IR |
|-------------------------------|---|--|
| Camera | | |
| Image Sensor | 1/1.8" progressive scanning CMOS sensor | 1/2.8" progressive scanning CMOS sensor |
| Effective Pixel | 4mp, 2560*1440 | 2mp, 1920*1080 |
| Minimum Illumination | Color: 0.0005Lux @ (F1.5, AGC on), B/W: 0.0001Lux @ (F1.5, AGC on), Infrared light on: 0Lux | Color: 0.001Lux @ (F1.8, AGC on), B/W: 0.0005Lux @ (F1.8, AGC on), Infrared light on: 0Lux |
| White Balance | Automatic, ATW, indoor, outdoor, one button, manual | |
| Gain Control | Automatic / manual | |
| BLC | ON/OFF | |
| Electronic Shutter | 1 / 25 ~ 1 / 10000 seconds, support fast and slow shutter | |
| B/W Mode | Filter switching | |
| Digital Zoom | 16x | 8x |
| Privacy Masking | ON/OFF (8 pieces) | |
| Zoom Mode | Auto / semi auto / manual | |
| Defog | Support | |
| Heat Wave Removal | Support | |
| EIS | Support | |
| 3D Noise Reduction | Support | |
| Wide Dynamic | Support | |
| Lens | | |
| Focal Length | 6.5~240mm | 7~504mm |
| Aperture | DC-Iris, F1.5-F4.8 | DC-Iris, F1.8-F6.5 |
| Horizontal Viewing Angle | 60.38-2.09 | 41.55-0.69 |
| Minimum Working Distance | 100-1500mm | 100-2500mm |
| Function | | |
| 3D Intelligent Position | Support | |
| Horizontal Range | 360° continuous rotation | |
| Horizontal Speed | 0.05°~300°/s | |
| Vertical Range | -15°~90° | |
| Vertical Speed | 0.05°~200°/s | |
| Scaling | Support | |
| Number of Preset Points | 256 | |
| Cruise Scan | 8, Dwell time can be set | |
| Power-off Memory | Support | |
| Network | | |
| Network Interface | RJ45 10Base-T/100Base-TX | |
| Maximum Resolution | 2560*1440 | 1920*1080 |
| Frame Rate | 25/30 fps | |
| Video Compression | H.264/H.265 | |
| Code Type | H.265 Main Profile, H.264 BaseLine Profile/Main Profile/High Profile | |
| Main Stream Resolution | 50Hz:25fps(2560*1440, 1920*1080,1280*960) 60Hz:30fps(2560*1440, 1920*1080,1280*960) | 50Hz:25fps(1920*1080,1280*960,1280*720) 60Hz:30fps(1920*1080,1280*960,1280*720) |
| Frame Rate | 1~30 fps adjusted | |
| Multi Stream | Support | |
| Audio Interface | Audio input, Audio output (optional) | |
| Alarm Interface | Alarm input, Alarm output (optional) | |
| Network Protocol | TCP/IP,ICMP,HTTP,HTTPS,FTP,DHCP,DNS,RTP,RTSP,RTCP,NTP,SMTP,SNMP,IPv4,IPv6 | |
| Compatibility | ONVIF, GB/T28181 | |
| Front End Storage | Micro SD storage, up to 128GB | |
| Infrared Function | | |
| Infrared Distance | 150m | |
| Infrared Angle | Variable according to focal length | |
| General Specifications | | |
| Power Supply | AC24±4V, 50Hz, PoE optional | |
| Consume Power | 48W | |
| Protection Level | IP66 (outdoor), TVs 3000V lightning protection, surge protection and surge protection | |
| Working Temperature | -40°C~65°C | |
| Working Humidity | Humidity less than 90% | |
| Bracket | Wall mounted or hoisting | |
| Wiper | Optional | |

Malaysia solution provider



Unit 17-03 & 17-04, Tower 1, Faber Towers, Jalan Desa Bahagia, Taman Desa, 58100 Kuala Lumpur Direct Phone: +60379846781 ; Mobile: +60122352710
www.prismabytes.com Email: bd@prismabytes.com